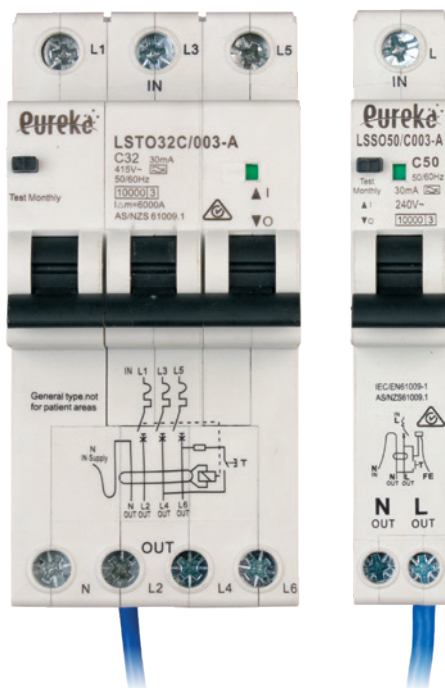


The Eureka Range of 1 & 3 pole Chassis Mount RCBO Units is Finally Here!

LSTO & LSSO Range RCBO units, 10kA Type A



Perfectly suited to the eureka range of distribution boards and the eureka ELS6 chassis, the eureka LSTO RCBO range is the first chassis mounted RCBO unit to enter the market. At 53mm wide, it only takes up 3 poles when mounted to a din chassis, unlike other units that require 4 poles, thus losing the uniformity of phase balancing.

The range can also be retro fitted into other chassis and distribution enclosure brands available on the market, or as a stand alone unit.

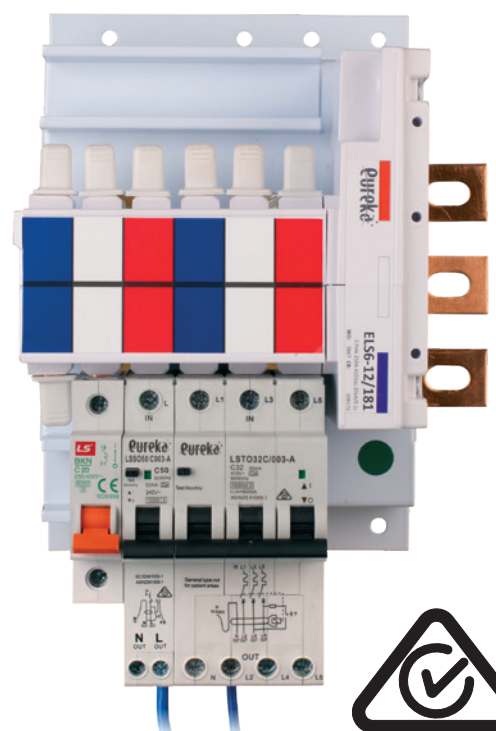
LSIS range of MCB's complete the range as well as the Susol MCCB which will operate upstream of the RCBO and MCB range.

A comprehensive software package aids with discrimination and selectivity, to make sure all circuit breakers in a power distribution system, operate independently without nuisance tripping from downstream faults.

Features include -

- > Provides protection against earth fault / leakage current, overload and short circuit
- > Rated current - 1 pole 6-50A / 3 pole 6-63A
- > Breaking capacity - Icn 10kA, Ics 7.5kA
- > Rated voltage - 1 pole 240VAC, 3 pole 415VAC
- > Rated residual current - 10mA, 30mA, 100mA*, 300mA*
- > Tripping characteristic - A type
- > Magnetic tripping characteristics - B*, C and D curve
- > Cable termination - 25mm
- > Operating temperature - -5°C – +55°C
- > Standards - AS/NZ IEC/EN610009-1
- > Tested and certified in Australia to Australian standards

* indent only



1 pole 30mA, C curve

Part no.	Description
LSS06/C003-A	1P 6A RCBO 10kA 30mA C curve type A
LSS10/C003-A	1P 10A RCBO 10kA 30mA C curve type A
LSS16/C003-A	1P 16A RCBO 10kA 30mA C curve type A
LSS20/C003-A	1P 20A RCBO 10kA 30mA C curve type A
LSS25/C003-A	1P 25A RCBO 10kA 30mA C curve type A
LSS32/C003-A	1P 32A RCBO 10kA 30mA C curve type A
LSS40/C003-A	1P 40A RCBO 10kA 30mA C curve type A
LSS50/C003-A	1P 50A RCBO 10kA 30mA C curve type A

1 pole 30mA, D curve

Part no.	Description
LSS06/D003-A	1P 6A RCBO 10kA 30mA D curve type A
LSS10/D003-A	1P 10A RCBO 10kA 30mA D curve type A
LSS16/D003-A	1P 16A RCBO 10kA 30mA D curve type A
LSS20/D003-A	1P 20A RCBO 10kA 30mA D curve type A
LSS25/D003-A	1P 25A RCBO 10kA 30mA D curve type A
LSS32/D003-A	1P 32A RCBO 10kA 30mA D curve type A
LSS40/D003-A	1P 40A RCBO 10kA 30mA D curve type A
LSS50/D003-A	1P 50A RCBO 10kA 30mA D curve type A

1 pole 10mA, C curve

Part no.	Description
LSS10/C001-A	1P 10A RCBO 10kA 10mA C curve type A
LSS16/C001-A	1P 16A RCBO 10kA 10mA C curve type A
LSS20/C001-A	1P 20A RCBO 10kA 10mA C curve type A
LSS25/C001-A	1P 25A RCBO 10kA 10mA C curve type A

Locking device to suit 1 and 3 pole units

MCBLDOG	Toggle mounted locking device
----------------	-------------------------------

3 pole 30mA, C curve

Part no.	Description
LST06C/003A	3P 6A RCBO 10kA 30mA C curve type A
LST010C/003A	3P 10A RCBO 10kA 30mA C curve type A
LST016C/003A	3P 16A RCBO 10kA 30mA C curve type A
LST020C/003A	3P 20A RCBO 10kA 30mA C curve type A
LST025C/003A	3P 25A RCBO 10kA 30mA C curve type A
LST032C/003A	3P 32A RCBO 10kA 30mA C curve type A
LST040C/003A	3P 40A RCBO 10kA 30mA C curve type A
LST050C/003A	3P 50A RCBO 10kA 30mA C curve type A
LST063C/003A	3P 63A RCBO 10kA 30mA C curve type A

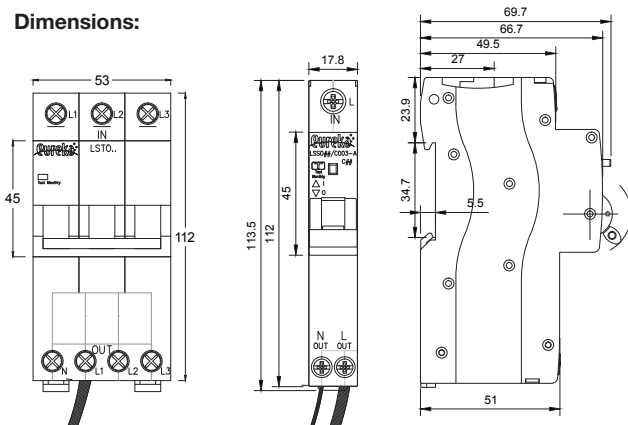
3 pole 30mA, D curve

Part no.	Description
LST06D/003A	3P 6A RCBO 10kA 30mA D curve type A
LST010D/003A	3P 10A RCBO 10kA 30mA D curve type A
LST016D/003A	3P 16A RCBO 10kA 30mA D curve type A
LST020D/003A	3P 20A RCBO 10kA 30mA D curve type A
LST025D/003A	3P 25A RCBO 10kA 30mA D curve type A
LST032D/003A	3P 32A RCBO 10kA 30mA D curve type A
LST040D/003A	3P 40A RCBO 10kA 30mA D curve type A
LST050D/003A	3P 50A RCBO 10kA 30mA D curve type A
LST063D/003A	3P 63A RCBO 10kA 30mA D curve type A

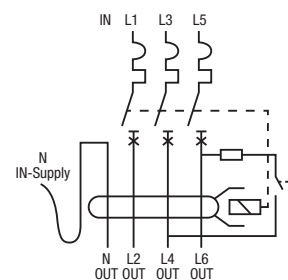
3 pole 10mA, C curve

Part no.	Description
LST016C/001A	3P 16A RCBO 10kA 10mA C curve type A
LST020C/001A	3P 20A RCBO 10kA 10mA C curve type A

Dimensions:



Connection Diagram:



Will operate and is suitable for 4 wire motor circuits without the load neutral



Please contact your distributor for pricing details and stock.

Distributed by:

VIC, SA, NT & STH QLD – N.A.W. Controls Victoria
98 Commercial Drive, Thomastown VIC 3074
Phone (03) 9464 6555 Fax (03) 9464 5155
Email sales@nawcontrols.com.au
www.nawcontrols.com.au

NSW – Tobin Electrical Components
2C Brunker Road, Chullora NSW 2190
Phone 1300 TOBINS, (02) 8713 5200 Fax (02) 9790 5211
Email sales@tobins.com.au
www.tobins.com.au

NTH QLD & PACIFIC ISLANDS – Power Protection Industries
1/12 Northern Link Circuit, Shaw, Townsville, QLD 4818
Phone (07) 4412 6888 Mob 0402 916 341
Email sales@ppindustries.com.au
www.ppindustries.com.au

TAS – Gordon Wood & Company
31 Sunderland Street, Moonah TAS 7009
Phone 03 6273 4455 Fax 03 6273 4734
www.gordonwood.net.au

WA – Uniquip Industries
27A Colin Jamieson Drive, Welshpool WA 6106
Phone 08 9451 4782 Fax 08 9451 7057
Email sales@uniquip.net.au
www.uniquip.net.au