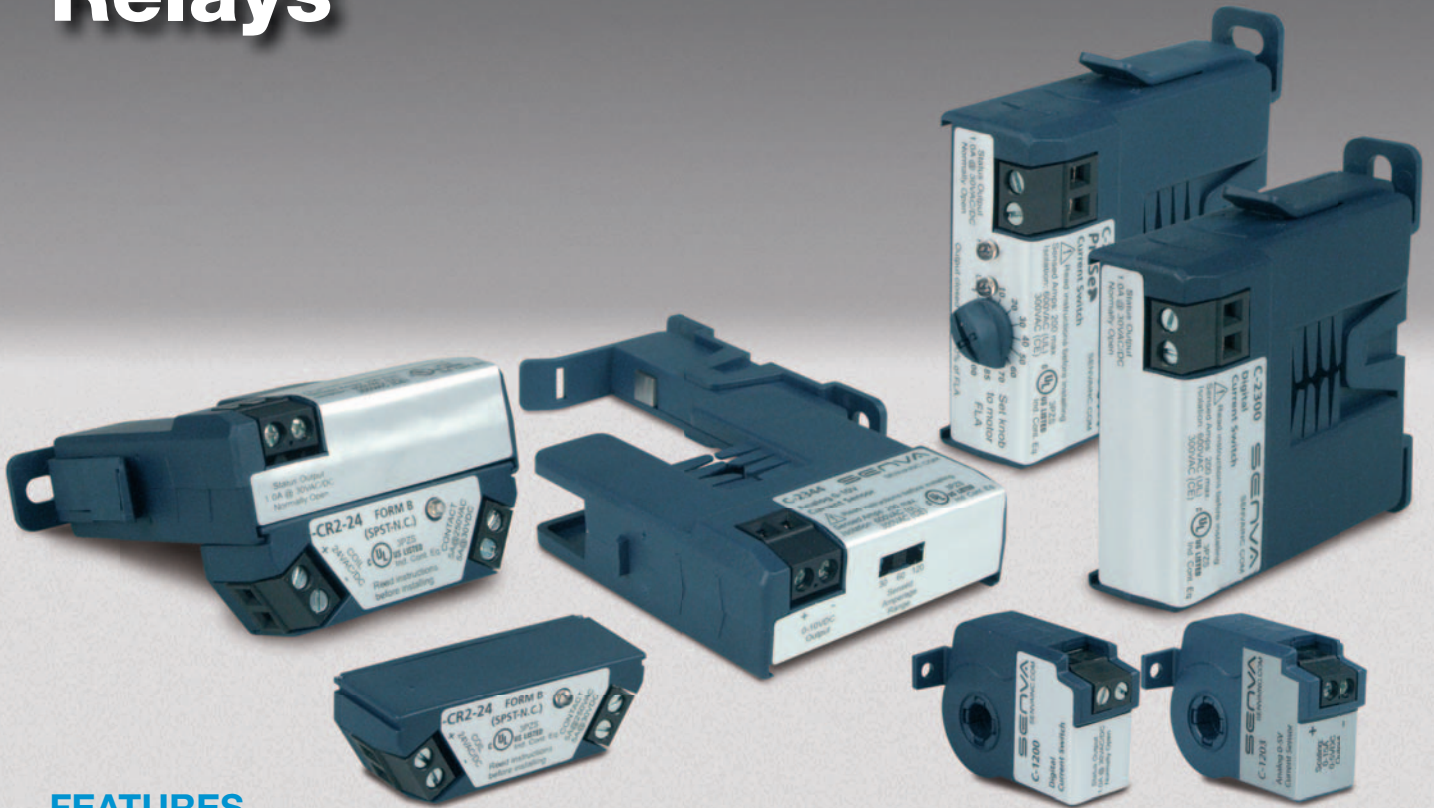


Current Sensing Relays



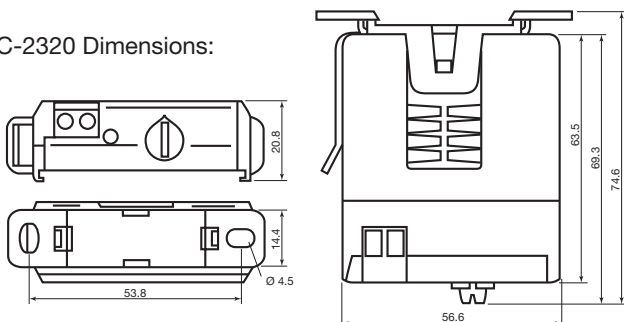
FEATURES

- Monitors current from 0.1 to 200A over 5 units
- 1 x C/O contact (1A @ 30VAC/DC) which is initiated on sensing of current or at pre-set value
- Auxiliary relay (ICS CRI) will switch loads up to 10A
- Split core units for retro-fitting

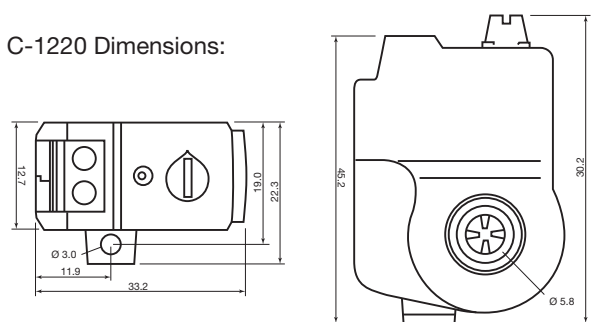
***Note: This device is NOT polarity sensitive.**

Part No.	Description	\$ Price	Price Schedule
ICS C 1200	Mini solid core 0.1 to 50A range 1A@30VAC/DC Man N.O.	67.50	E2
ICS C 2300	Split core 0.15 to 200A range 1A@30VAC/DC Man N.O.	102.60	E2
ICS C 1203	Solid core analogue 0-15A input, 0-5V DC output	118.80	E2
ICS C 1220	Preset solid core mini 0.75 to 50A range 1A@30VAC/DC Man N.O.	124.20	E2
ICS C 2320	Preset solid core mini 1 to 100A range 1A@30VAC/DC Man N.O.	180.90	E2
ICS C 2330	Autoset split core 2.5 to 135A range 1A@30VAC/DC Man N.O.	232.20	E2
ICS CR1	Command relay N.O. 10A (5)@250VAC/DC 10ma input	56.70	E2

C-2320 Dimensions:



C-1220 Dimensions:



NAW Controls

53 Commercial Drive, Thomastown Victoria 3074
 Telephone: (03) 9464 6555 Fax: (03) 9464 5155
 Email: naw@nawcontrols.com.au Web: www.nawcontrols.com.au